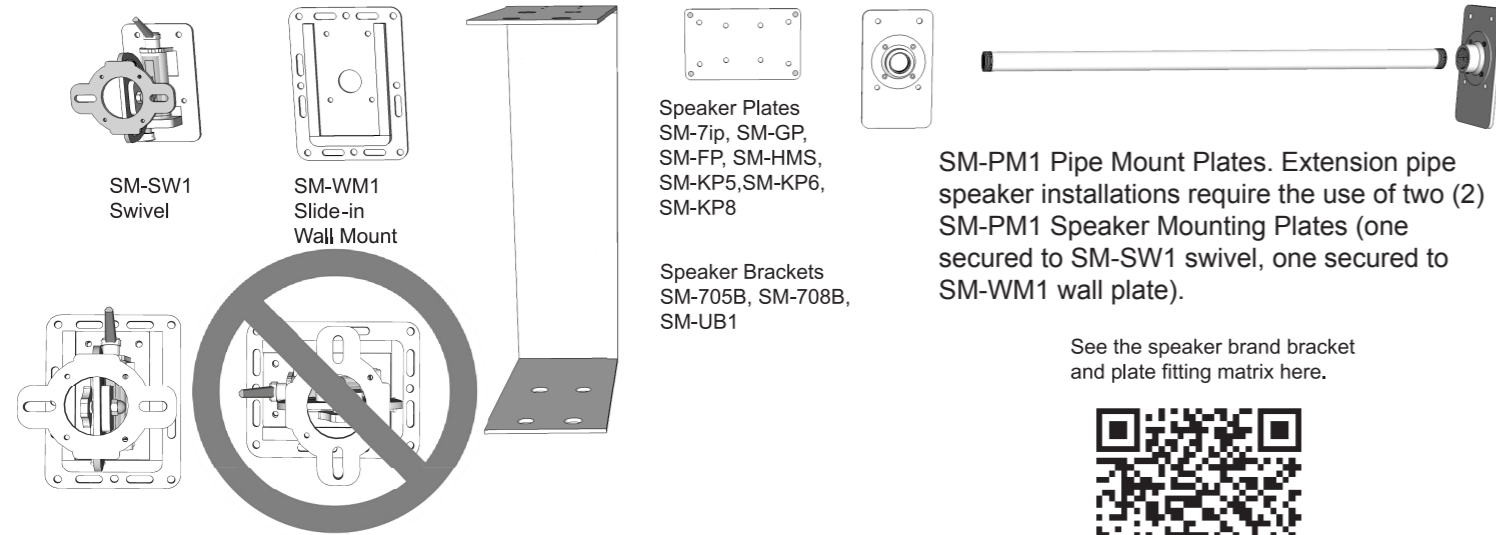


PRECISION TRIAD-ORBIT®

SM-1 System Basic Components



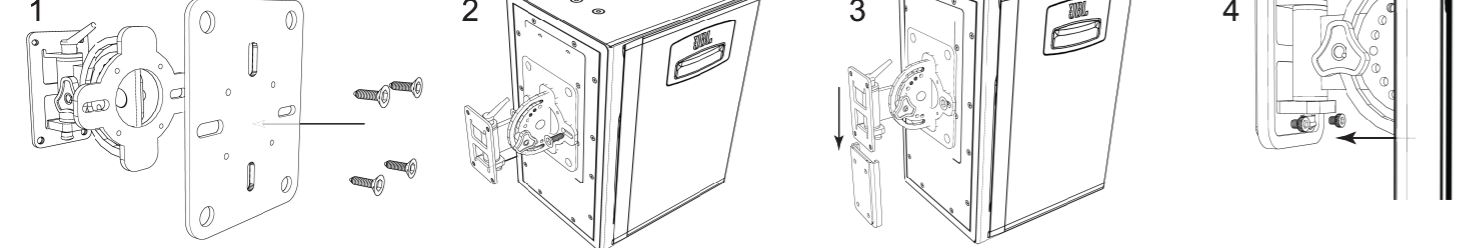
SM-PM1 Pipe Mount Plates. Extension pipe speaker installations require the use of two (2) SM-PM1 Speaker Mounting Plates (one secured to SM-SW1 swivel, one secured to SM-WM1 wall plate).

See the speaker brand bracket and plate fitting matrix here.



The SM-1 Speaker Mounting System IS NOT designed to be installed horizontally. The SW1 Swivel has four (4) equally spaced mounting holes, allowing speakers to be secured either vertically or horizontally.

SM-1 Installation Sequence



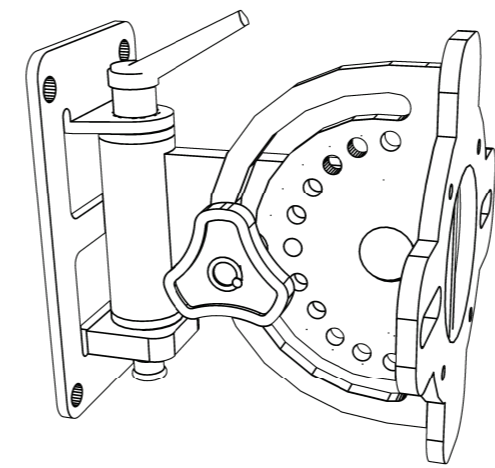
Use the supplied machine screws to secure any of the SM speaker mounting brackets or plates to the SM-SW1 swivel.

Attach the SM-SW1 swivel to the speaker. Next, preset the Tilt and Pan positioning. (Refer to SM-SW1 operation)

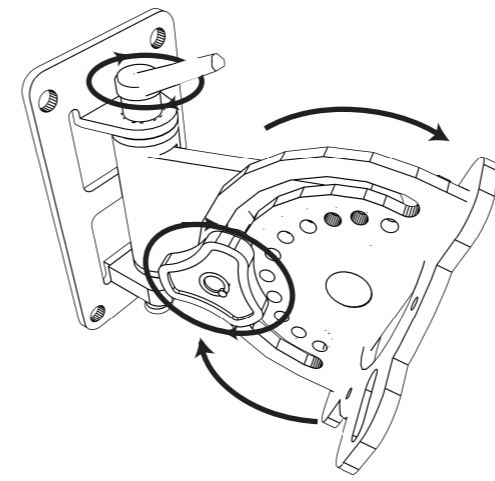
Slide the complete SM-SW1 speaker assembly into the SM-WM1 wall / ceiling mount.

Secure the SM-SW1 swivel to the SM-WM1 wall plate with the supplied machine screws. Lastly, fine-tune the pan and tilt positioning of the speaker.

SM-SW1 Speaker Mount Swivel

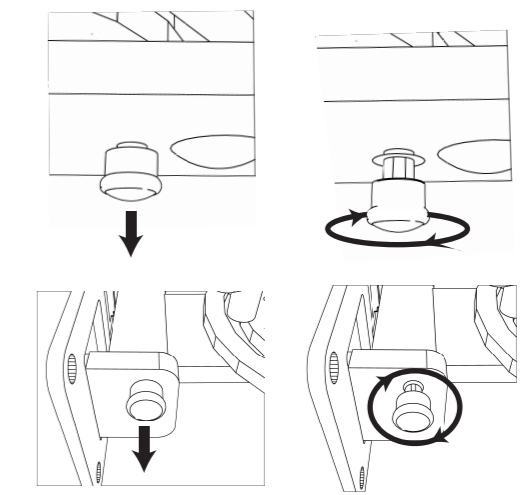


The SM-SW1 is the Pan and Tilt speaker-positioning swivel for the SM-1 speaker mounting system. The pan and tilt controls are redundant; both with a tension handle/knob and a locking spring pin. Position locking increments: Pan / 30°, Tilt / 15°



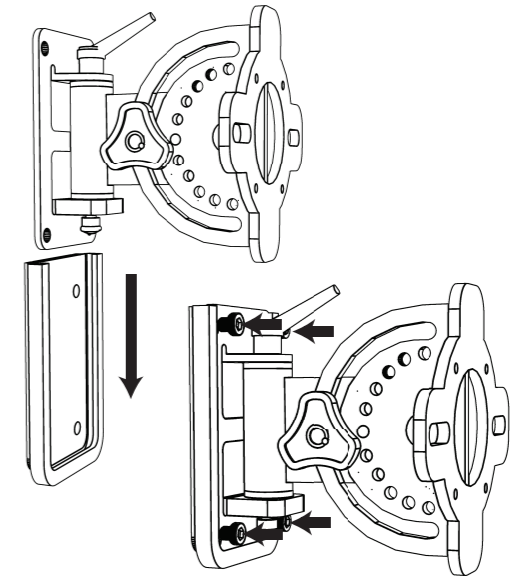
To adjust the Pan or Tilt axis: 1.) Loosen the tension handle knob, 2.) Pull the spring pin out. Note: The tension handles are spring-loaded. When adjusting tension, turn the handle as far as placement allows. Next, pull up and reset the handle position to continue adjustment.

Spring Pin Functions



While pulling out the Pan or tilt Spring Pin Knob, turn it 90° and release it. The pin will remain 'locked out' in this position. Next, move the swivel to the desired position hole. To lock the swivel in place, pull the pin out again, turn it 90° and the swivel will lock into position.

SM-WM1 Speaker Mounting Plate for wall or ceiling applications



The SM-WM1 wall plate should be mounted in position prior to loading. This allows for installers to preset all the speaker positions before mounting. The loaded SM-SW1 speaker assembly then slides into the SM-WM1. Use the provided hex machine screws to secure the SM-SW1 to the SM-WM1 wall mount.