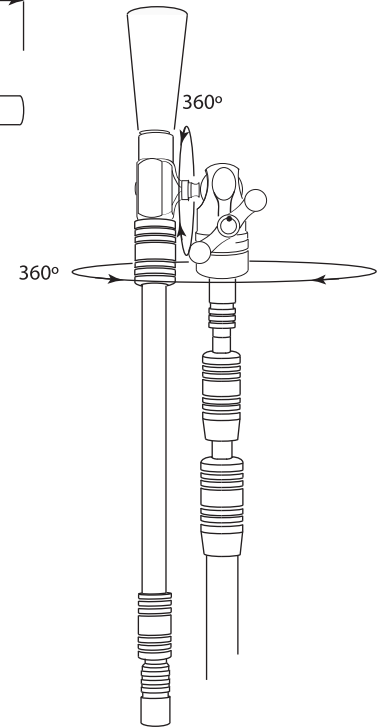
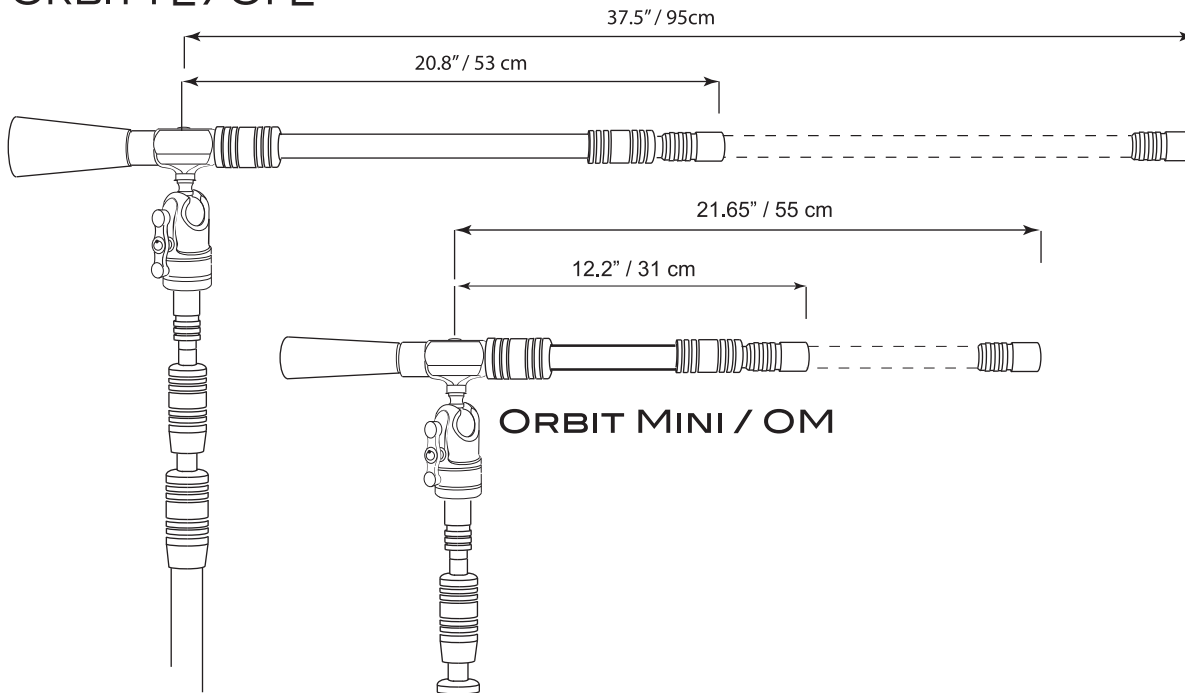


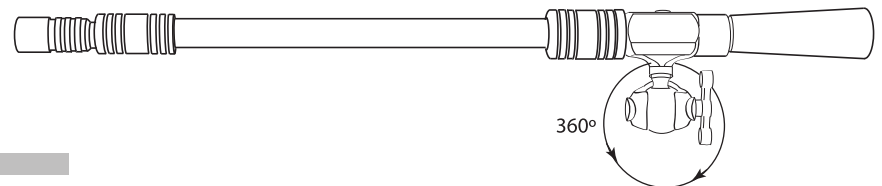
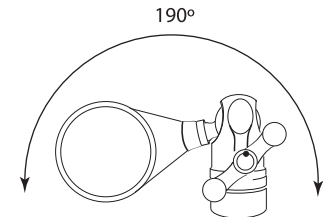
ORBIT 1-L / O1-L



ORBIT MINI / OM

ORBIT BOOMS

The orbital arms and center swivel of ORBIT booms exhibit a 150 to 360 range-of-motion. These graphics illustrate the basic functionality of ORBIT booms. Combining ORBIT booms with TRIAD stands MICRO adaptors into custom stand systems will increase performance and precision exponentially.



| Model | Collapsed size | Max Length | Total Weight |
|-------|-----------------|----------------|-----------------------|
| OM | 12.2" / 31 cm | 21.65" / 55 cm | 4.25 lbs / 1.93 Kilos |
| O1-L | 26.5" / 67.31cm | 37.5" / 95cm | 6.5 lb / 3 Kilos |