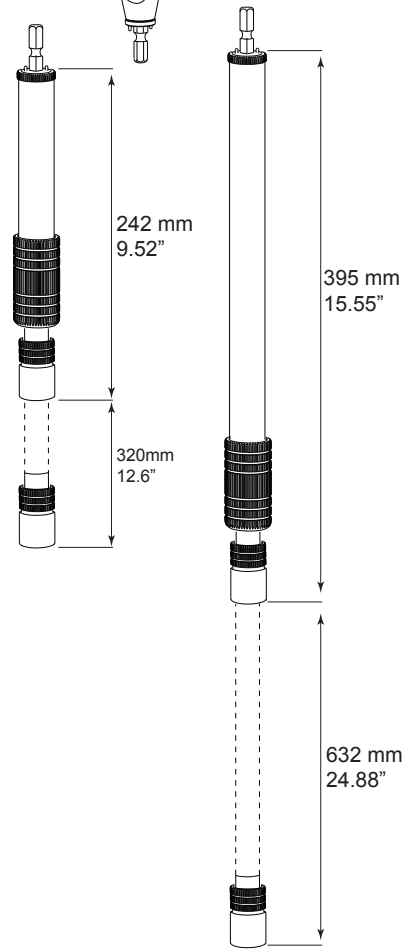
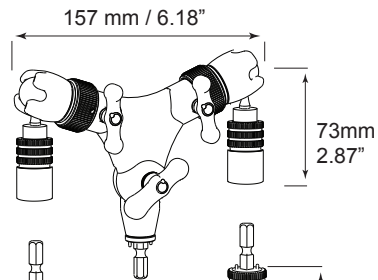
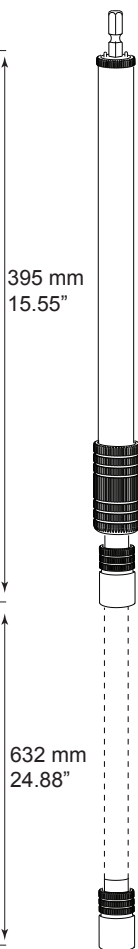
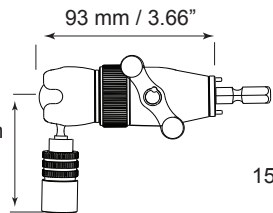


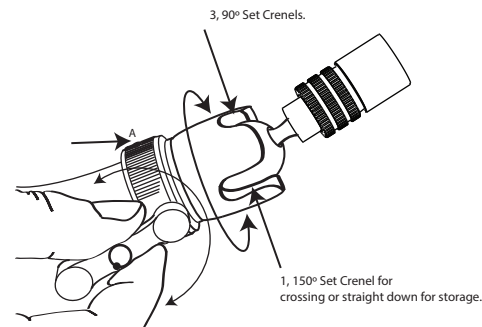
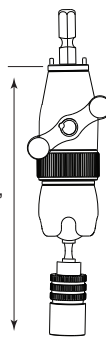
O2X



OA



157 mm / 6.18"



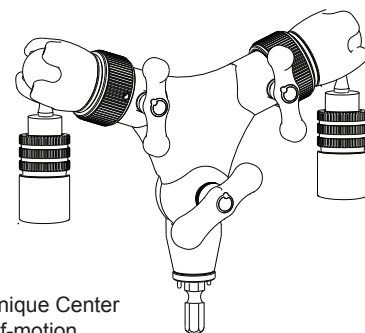
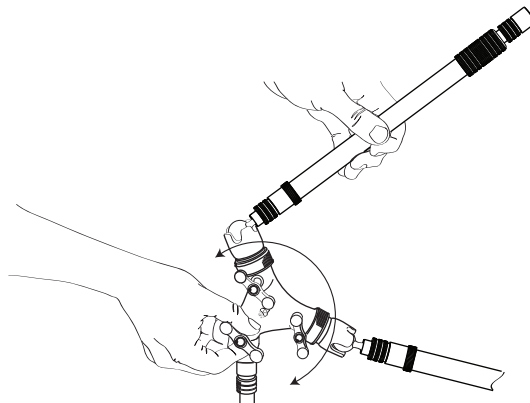
Model	Collapsed size	Max Length	Total Weight
OA	93 mm x 73 mm	157 mm	1.4 lbs / 0.635 kg
O2X	157 mm x 73 mm	157 mm	4.5 lbs / 2.04 kg
IO-A1	242 mm	320 mm	0.9 lbs / 0.41 kg
IO-A2	395 mm	632 mm	1.35 lbs / 0.61 kg

O2x's large knurled rings are "Course Tensioner". These tensioners can be set tighter or be tightened if the O2 x ball swivels loose tension over time.

To increase tension, loosen the main "T" knob and the small hex set screw (A), then turn the large knob clockwise while moving the arm. You can feel the tension increase. When you are set, re-tighten the small hex screw. Repeat the process on the second arm for continuity.

O2x

The housings have 4 Compass Point crenels. One crenel is notched deeper for a greater range-of-motion (150°). The deeper position also allows the boom to be in balance and arms to cross or straight down for storage.



ORBIT 2X CENTER SWIVEL

In addition to its dual orbital boom arms, ORBIT 2x utilize a unique Center Swivel that adds a pivot point with an additional 150° range-of-motion.