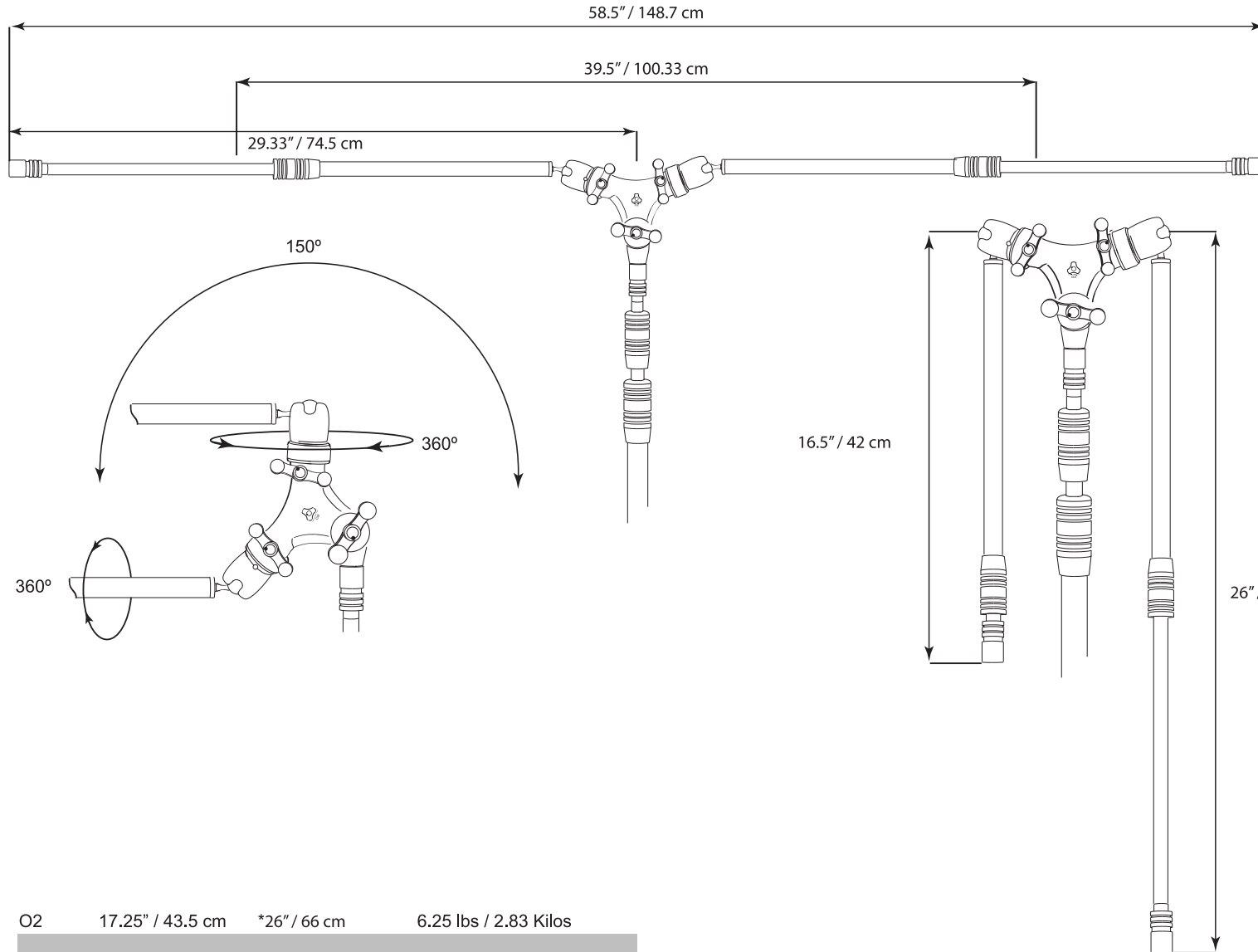
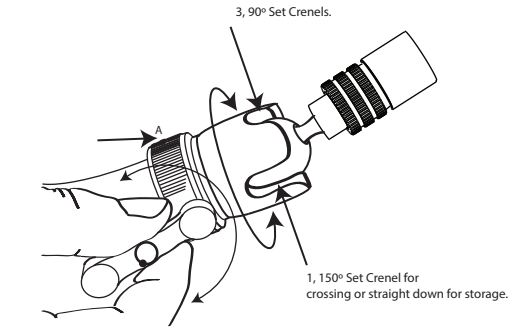


# ORBIT 2

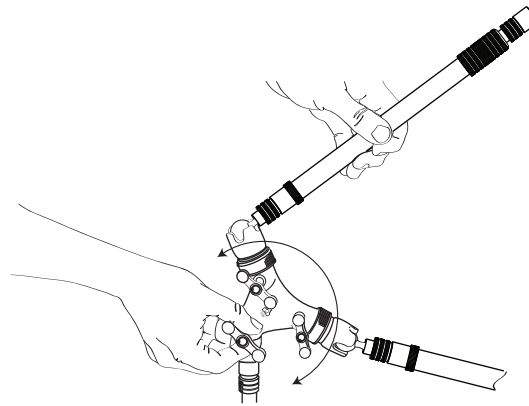


O2 17.25" / 43.5 cm \*26" / 66 cm 6.25 lbs / 2.83 Kilos

\* Single Boom Arm from Ball Center.



O2's large knurled rings are "Course Tensioner". These tensioners can be set tighter or be tightened if the O2 ball swivels loose tension over time. To increase tension, loosen the main "T" knob and the small hex set screw (A), then turn the large knob clockwise while moving the arm. You can feel the tension increase. When you are set, re-tighten the small hex screw. Repeat the process on the second arm for continuity.



## ORBIT 2 CENTER SWIVEL

In addition to its dual orbital boom arms, ORBIT O2 anO 2x utilize a unique Center Swivel that adds a pivot point with an additional 150° range-of-motion.

## O2

The housings have 4 Compass Point crenels. One crenel is notched deeper for a greater range-of-motion (150°). The deeper position also allows the boom to be in balance and arms to cross or straight down for storage.

