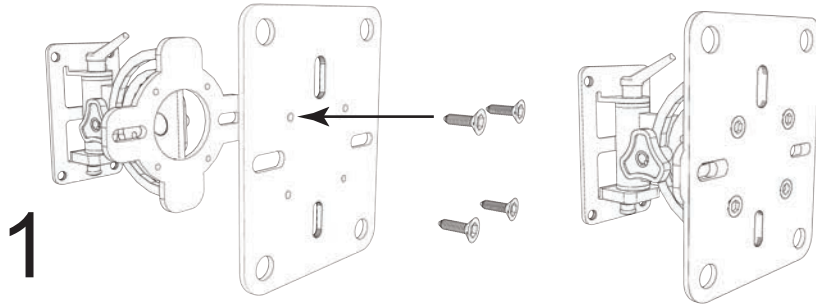




TRIAD-ORBIT®

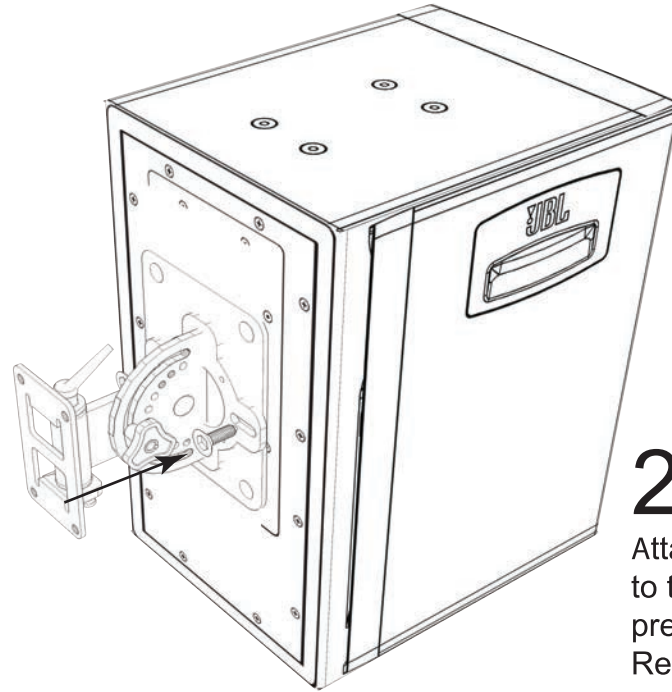
ADVANCED STAND SYSTEMS

SM-1 Installation Sequence



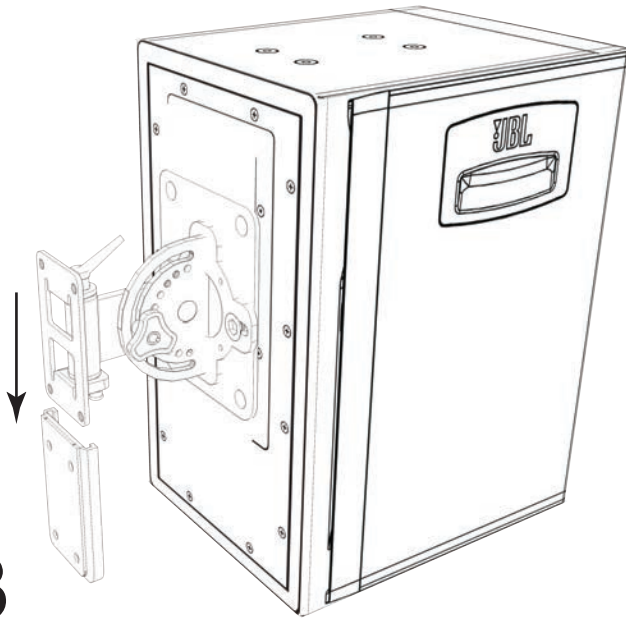
1

Use the supplied screws to screw the SM-GP, SM-7IP plate 705B or 708B bracket to the SM-SW1 swivel.



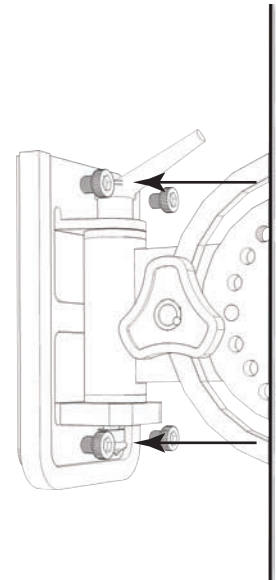
2

Attache the plate and swivel to the speaker. You can now preset the tilt and pan. Refer the supplied manuals.



3

Slide the complete assembly into the SM-WM1 wall plate.



4

Secure the SM-SW1 to the SM-WM1 with the supplied screws and fine tune the tilt and pan. Refer the supplied manuals.