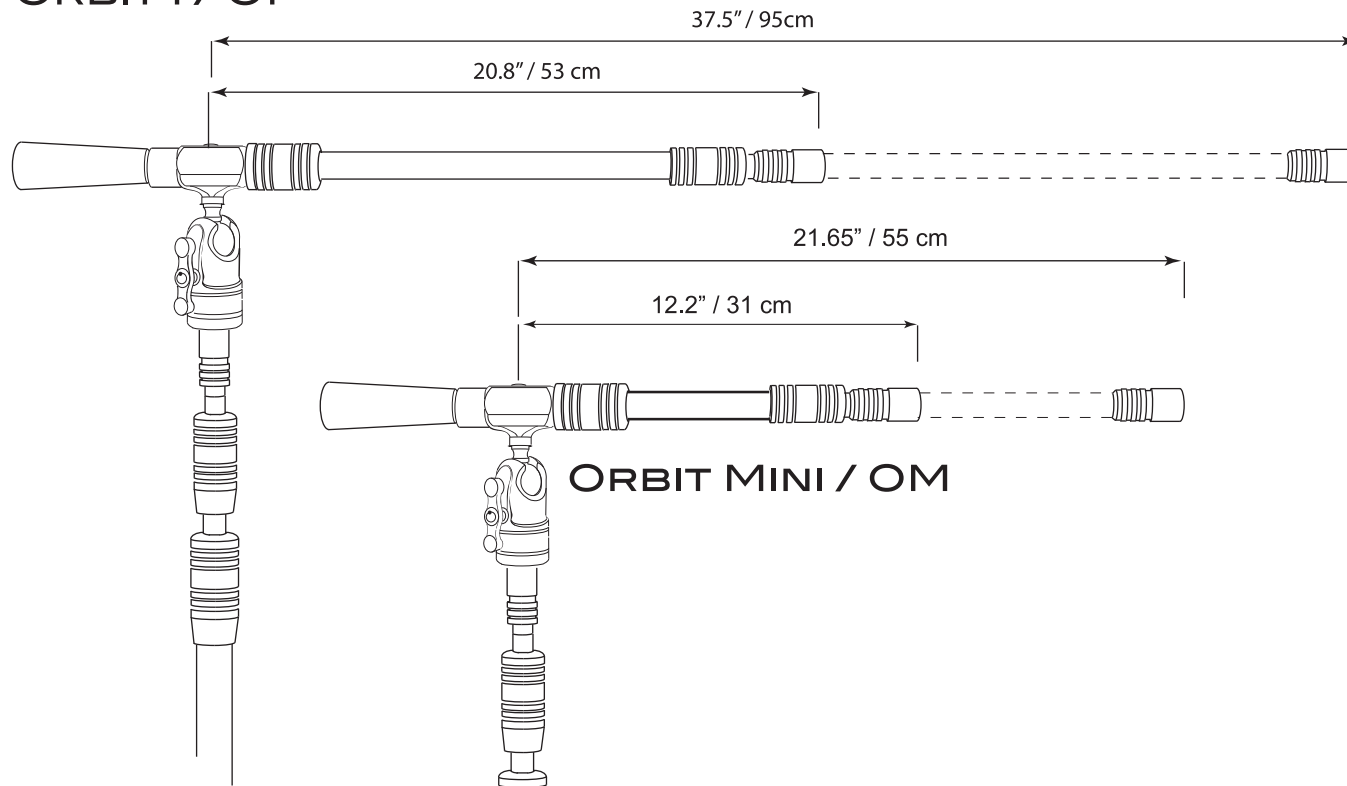
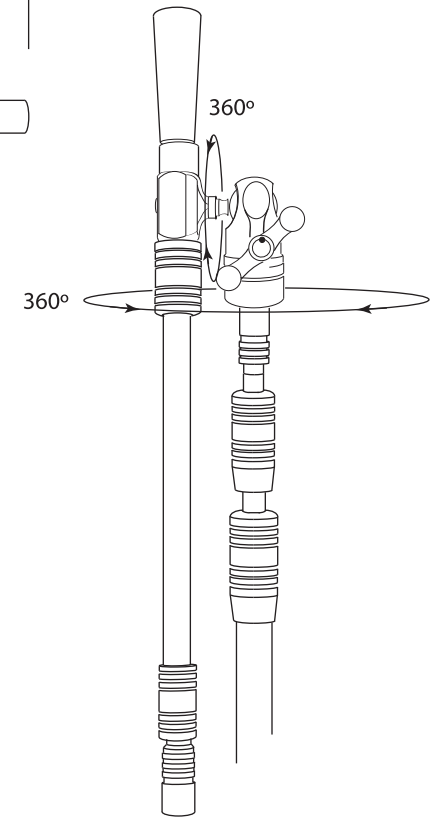
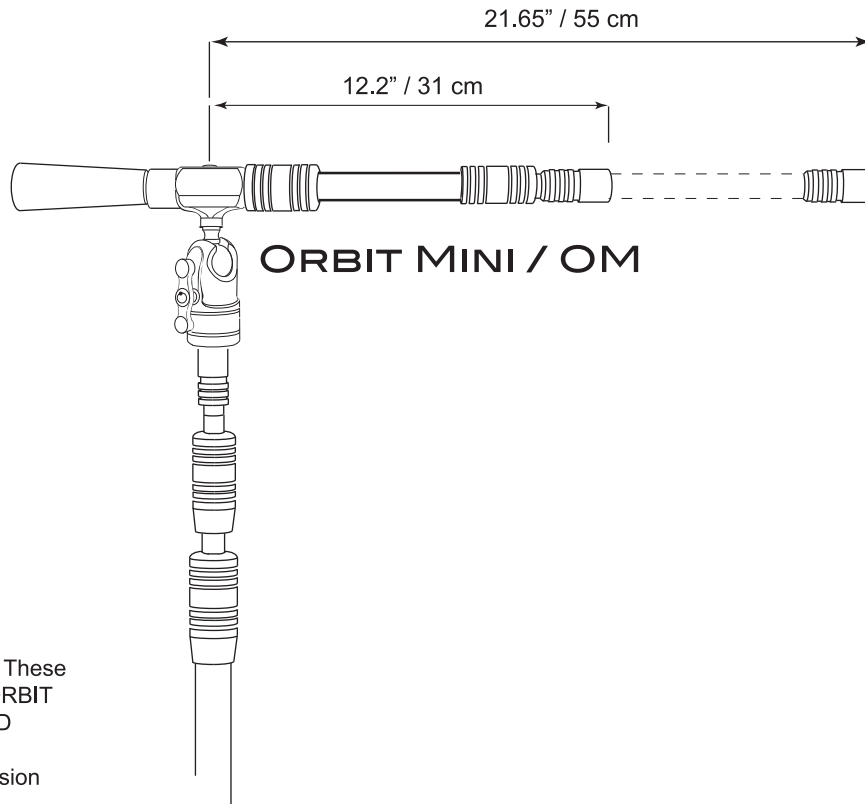


ORBIT 1 / O1

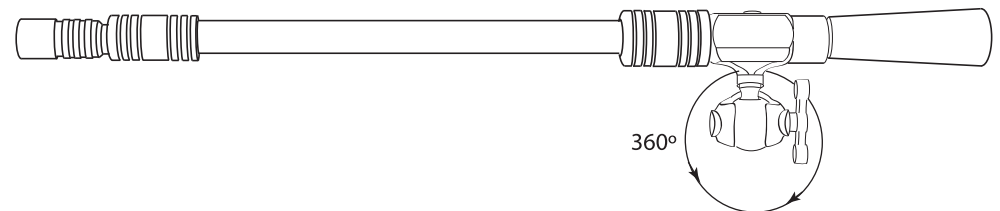
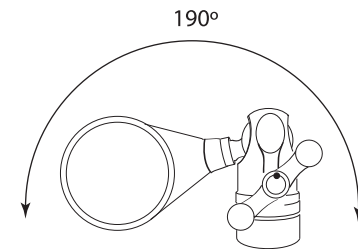


ORBIT MINI / OM



ORBIT BOOMS

The orbital arms and center swivel of ORBIT booms exhibit a 150 to 360 range-of-motion. These graphics illustrate the basic functionality of ORBIT booms. Combining ORBIT booms with TRIAD stands MICRO adaptors into custom stand systems will increase performance and precision exponentially.



ORBIT BOOMS

Model	Collapsed size	Max Length	Total Weight
OM	12.2" / 31 cm	21.65" / 55 cm	4.25 lbs / 1.93 Kilos
O1	26.5" / 67.31cm	37.5" / 95cm	4.75 lbs / 2.15 Kilos
O2	17.25" / 43.5 cm	*26" / 66 cm	6.25 lbs / 2.83 Kilos

* Single Boom Arm from Ball Center.